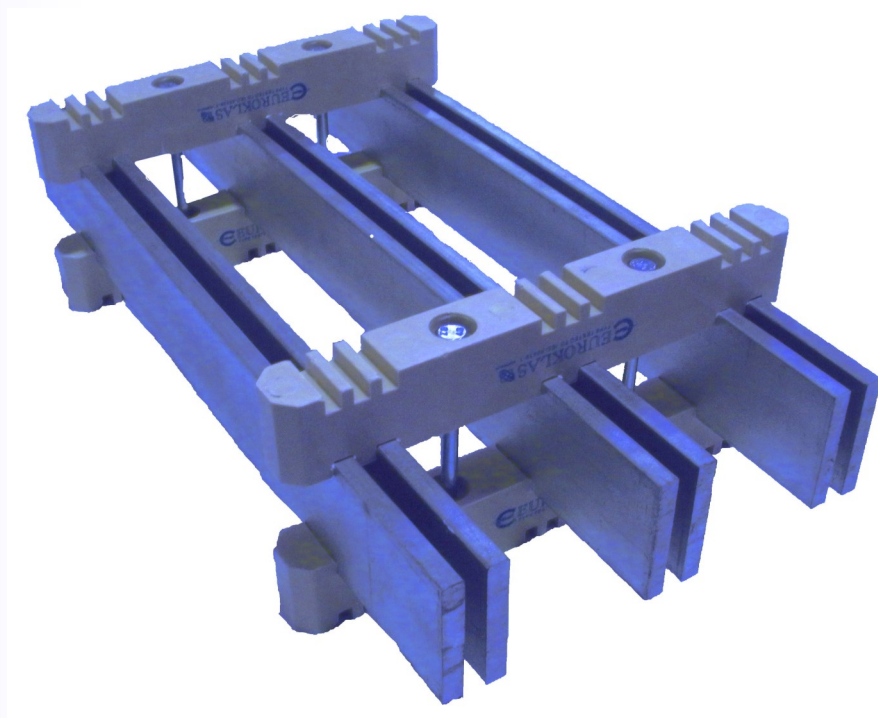


# Busbar Supports Type BSD

**KENTAN**



# Technical

## Use

Type BSD BUSBAR SUPPORTS suit most conventionally arranged busbar systems. These supports are designed to accommodate either 6.35mm and 10mm wide bars.

## Material Details

The supports are compression moulded from fibreglass reinforced unsaturated polyester dough moulding compound. Material is halogen free. Colour beige.

	Properties	Test Method	Unit	
Mechanical	Tensile strength	BS2782/ISO179	MPa	30
	Impact Strength (90°)		Kj /m <sup>2</sup>	26
	Flexural Strength		MPa	90
Electrical	Loss Tangent (LMHz)			Tan 0.013
	Comp. Tracking Index	IEC 60112	V	CTI 600
	Arc Resistance	ASTM D495-73	SEC	195
	Insulation Resistance	IEC 60167	ohm	12.3
Thermal	Working temperature		°C	160
	Temp. of Deflection		°C	>200
	Flammability Rating	UL Standard 94		VO / 5VA
	Glow-wire Test	IEC 60695-2-11	°C	960
Moisture Absorption	Tropicalised	BS2782	Mg	<12

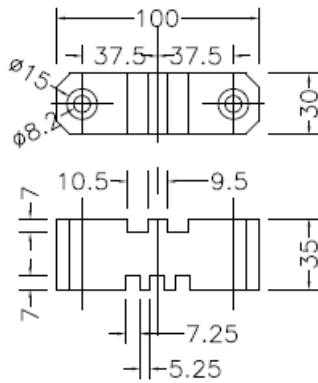
## Spacings

Cat No	Fault Current		Bar Size (mm)	Support Dist. (mm)	Test Report
	kA rms	kA peak			
BSD1/210/306	50	105	2-75x10	400	1119/1
BSD1/210/306	50	105	3-75x6	400	1119/1
BSD4/110/106	35	73.5	1-75x6	300	1119/3
BSD3/210/306	63	138.6	1-80x10	400	1532/1
	63	138.6	2-80x10	400	1532/1
BSD4/210/306	63	138.6	2-75x10	400	1119/2

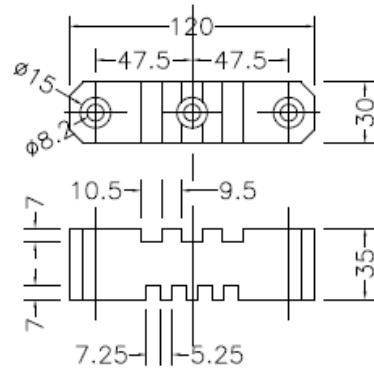
- 1/. Rated operational Voltage
- 2/. Rated insulation Voltage
- 3/. Rated frequency
- 4/. Duration of Fault Current

Ue 415V  
Ui 1000V  
50-60 Hz  
1 second

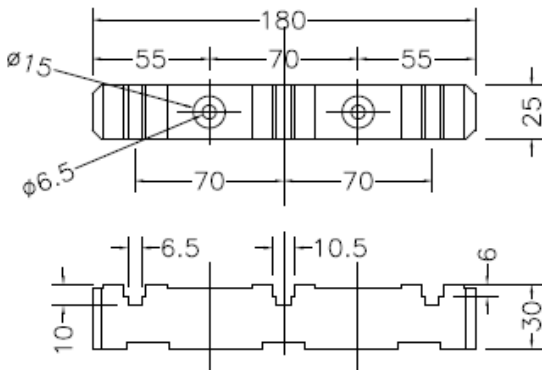
# Dimensions



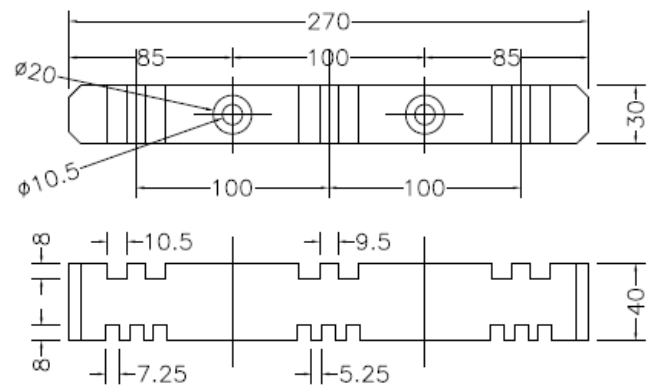
BSD1/210/306



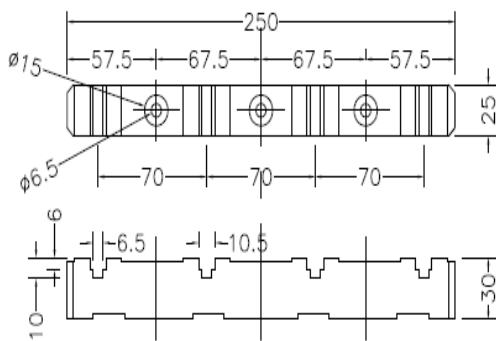
BSD1/310/406



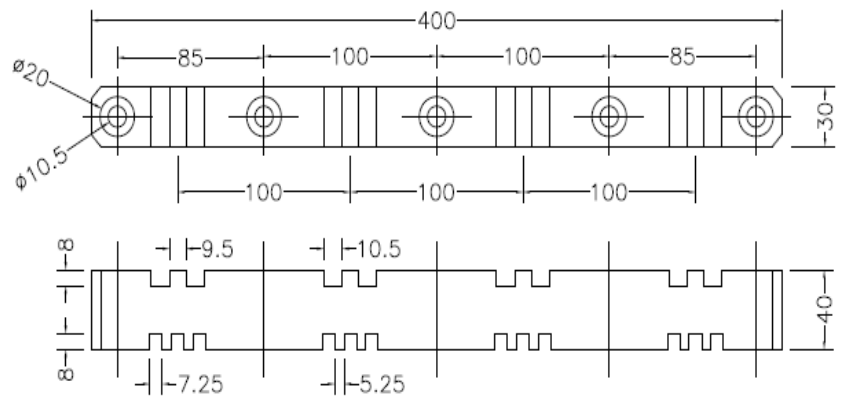
BSD3/110/106



BSD3/210/306



BSD4/110/106



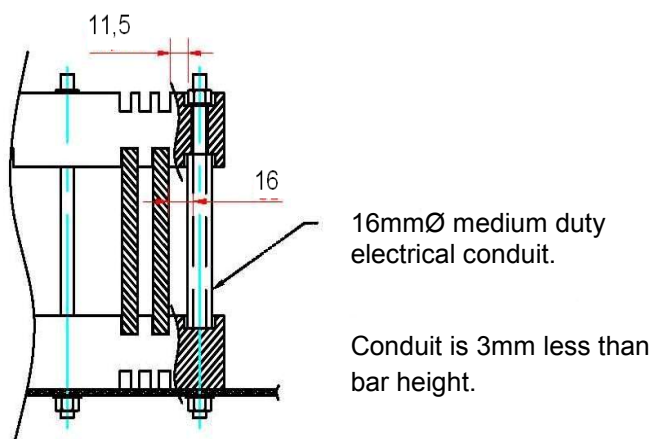
BSD4/210/306

# Installation

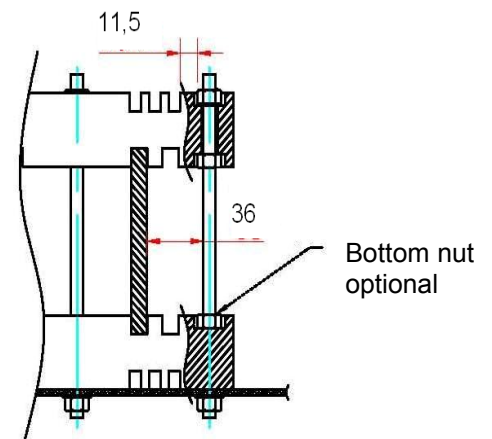
Cat No	Phases	Busbar (Side 1)	Busbar (Side 2)	Fixing Bolt	Torque (Nm)
BSD1/210/306	1	2x10mm	3x6mm	M8	10
BSD1/310/406	1	3x10mm	4x6mm	M8	10
BSD3/110/106	3	1x10mm	1x6mm	M6	8
BSD4/110/106	4	1x10mm	1x6mm	M6	8
BSD3/210/306	3	2x10mm	3x6mm	M8	10
BSD4/210/306	4	2x10mm	3x6mm	M8	10

## SUPPORTS TYPE BSD4/210/306

It is essential that these BSD BUSBAR SUPPORTS are not overstressed by tightening. The connecting bolts or rods beyond the recommended limit. This is 10N/m for M8 bolts and applies in particular to the outer fixings, and especially where the outside slot is not utilised. To prevent overstressing, a spacer tube or nut should be used as illustrated below. The spacer tube also increases the creepage distance to earth.



Spacer Tube



M8 Hex Nut

## KENTAN ENGINEERING

A.B.N 21 009 217 654

Unit 3, 8 Carole Road  
5255  
MADDINGTON Western Australia 6109

P.O Box 284  
MADDINGTON Western Australia 6989

International Telephone: 61 8 9493

National Telephone: (08) 9493 5255

Facsimile: (08) 9493 5242

E-Mail: [sales@kentan.com.au](mailto:sales@kentan.com.au)

Internet: [www.kentan.com.au](http://www.kentan.com.au)



Kentan Engineering is a Quality Assured Company