



Use

These Busplugs are designed to enter through an opening of less than 12mm high in the busbar zone partition, therefore making shutters unnecessary on withdrawable type switchboards.

They provide an 'off-load' disconnectable link between the busbar system and the short circuit protective device. They may also be used on the load-side connections in a fully withdrawable system.

Technical

	IC1160	IC1250	IC1400
Rated Thermal Current (A)	160A	250A	400A
Rated Operational Voltage U _e (VAC)	690		
Rated Insulation Voltage U _i (VAC)	690		
Short Circuit Current (kA)	50		
Frequency (Hz)	40-60		
Max. Operating Temperature (°C)	110		
Contact Resistance (mΩ)	100	50	35
Pinch Force (N)	47	47	73
Insertion Force (N)	25	50	80

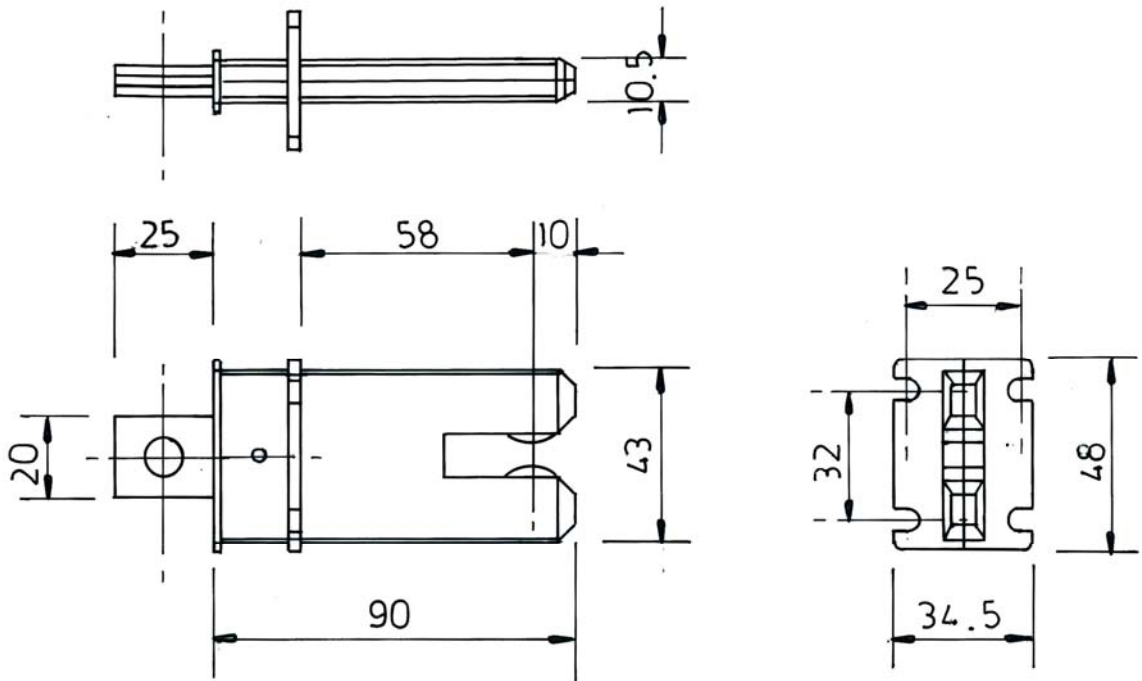
(1) Short circuit rating with short – circuit protective device.

Construction

Contacts are made from 2 mm thick, silver plated copper. Contract pressure is maintained by a steel spring.

The housing is injection moulded from type 6/6 glass filled nylon. The material is self extinguishing and listed as UL 94V-O, is Halogen Free with a Limiting oxygen index of 30%.

Dimensions



KENTAN ENGINEERING

A.B.N 21 009 217 654

Unit 3, 8 Carole Road
MADDINGTON Western Australia 6109

P.O Box 284
MADDINGTON Western Australia 6989

International Telephone: 61 8 9493 5255

National Telephone: (08) 493 5255

Facsimile: (08) 493 5242

E-Mail: sales@kentan.com.au

Internet: www.kentan.com.au



Kentan Engineering is a Quality Assured Company