

Busplugs Type UP Single Pole



Description

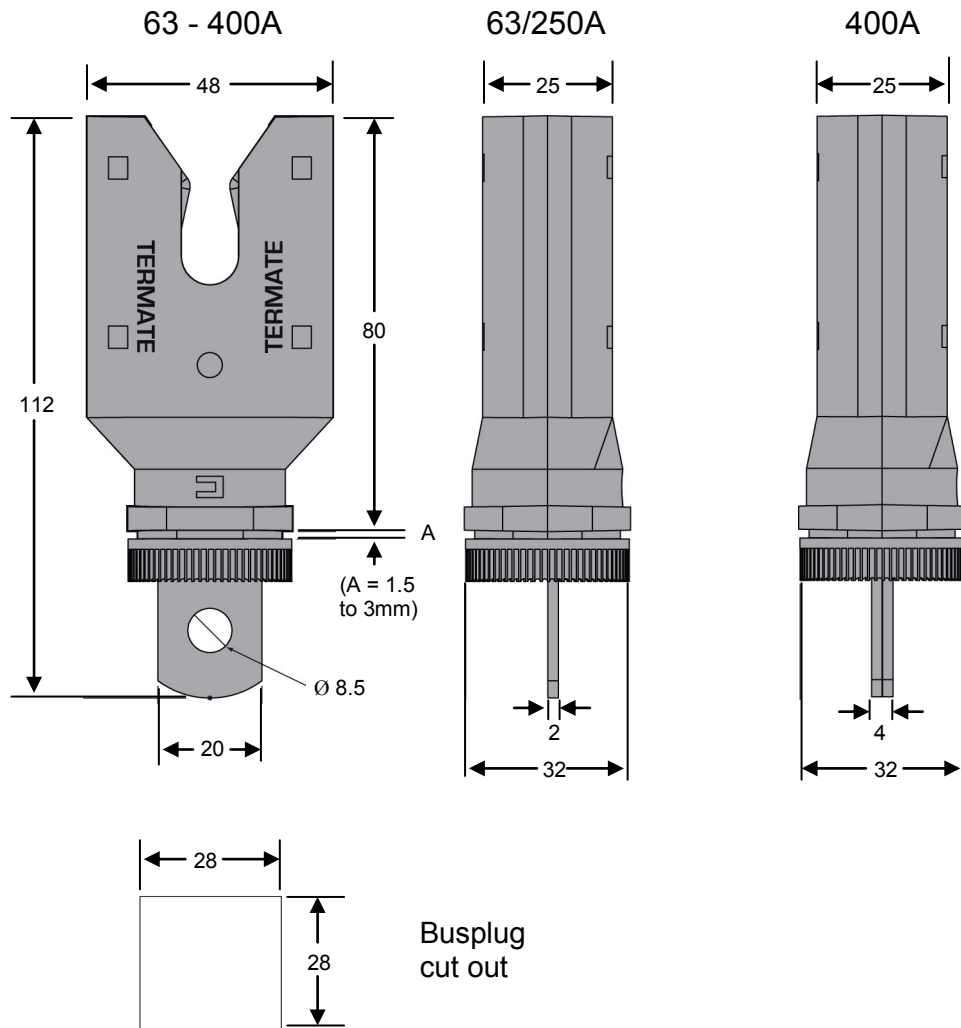
These are a new style single-pole busplug for ratings 63, 250 and 400A. They offer advantages over the previous design in appearance and ease of installation. The housings are imported from TERMATE LTD in the UK, but contact fingers are the same extended type used in the UP busplug range. Performance ratings therefore are unchanged.

These busplugs are only available in external connection.

Single pole busplugs are particularly useful in refurbishment of switchboards and MCCB's with dropper bar phase centres other than 60mm, and for load side connections of withdrawable MCCB's.

For more detailed information, refer to Publication UP2012A.

Dimensions



KENTAN ENGINEERING

A.B.N. 21 009 217 654

Unit 3, 8 Carole Road
MADDINGTON Western Australia 6109

P.O. Box 284
MADDINGTON Western Australia 6989

International Telephone: 61 8 9493 5255

National Telephone: (08) 9493 5255

Facsimile: (08) 9493 5242

Email: sales@kentan.com.au

Internet: www.kentan.com.au



Kentan Engineering is a Quality Assured Company